

2-way electric ball valves, stainless steel VE2V - INOX



- Stainless steel ball valves
- Fittings from 1/4" up to 2"
- Electric actuator with position pointer and manual operating for emergency

DESCRIPTION

The 2-way ball valves controlled by electric actuator, once closed, to isolate a part of a piping system. Open, they do not cause a pressure drop in the pipeline. Quick operation: The 90° are covered in about 10 seconds. These valves are suitable for applications with aggressive liquids, have a manual operating for emergency and a position pointer. The motor must be turned off when using the manual override.

TECHNICAL FEATURES

2-way ball valve:

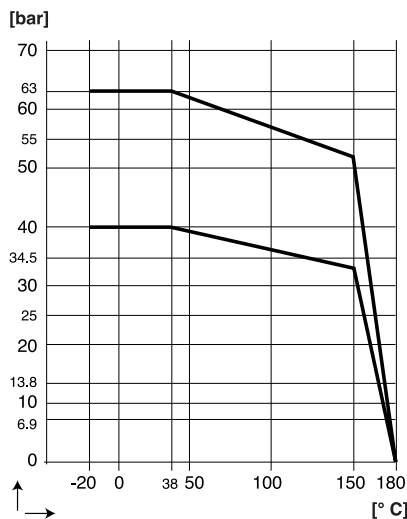
Body	AISI 316
Seal	PTFE
Ball	AISI 316
Ball seat	PTFE + 15% fiberglass
Fittings	BSPF
Pressure limits	63 bar → ND 10 to ND 20 40 bar → ND 25 to ND 50
Operating temperature	-20 ... +100 °C (Up to 180 °C: On request Over 100 °C: On request

Electric actuator:

Movement	90°
Emergency operating	Manual override
Duty rating	30 %
Protection	IP 65
Connections	1 cable gland ISO M20 1 connector 3 pins + ground, DIN 43650
Consumption	15 W: 1/4" to 1" 45 W: 1 1/4" to 2"
Multi-voltage power supplies	100 ... 240 V AC 50/60 Hz and 100 ... 350 V DC or 24 V AC 50/60 Hz or 24 V DC

OPTIONS	Back to 0° in case of power failure (safety) 4-20 mA electronic positioning system, 0-20mA or 0-10V
---------	---

EC Conformity: The instrument meets the legal requirements of the current European Directives.



Pressure vs. Temperature

BAMO INTERNATIONAL

22, Rue de la Voie des Bans · Z.I. de la gare · 95100 ARGENTEUIL
Tel +33 (0)1 30 25 83 20 Web www.bamo.eu
Fax +33 (0)1 34 10 16 05 E-mail export@bamo.fr

2-way electric ball valves,
stainless steel
VE2V - INOX

11-12-2019

D-1014.01-EN-AC

METAL

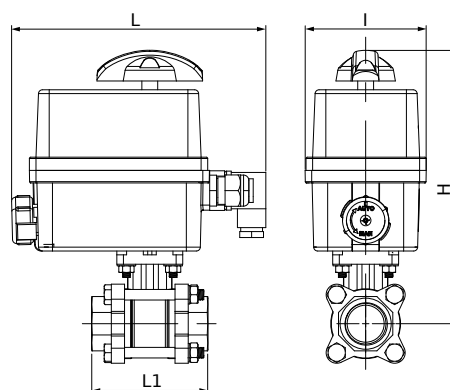
1014-01 /1

CODE NUMBERS AND REFERENCES

Fittings, BSPF	ND	24 V AC and 24 V DC	100 ... 240 V AC and 100 ... 350 V DC
1/4"	10	M 1014 001	M 1014 021
3/8"	12	M 1014 002	M 1014 022
1/2"	15	M 1014 003	M 1014 023
3/4"	20	M 1014 004	M 1014 024
1"	25	M 1014 005	M 1014 025
1 1/4"	32	M 1014 006	M 1014 026
1 1/2"	40	M 1014 007	M 1014 027
2"	50	M 1014 008	M 1014 028

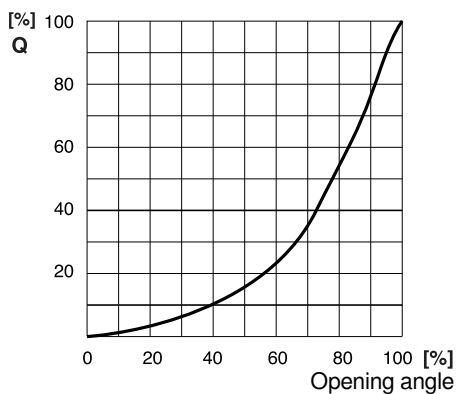
DIMENSIONS [mm]

Fittings, BSPF	ND	L1	I	L	H
1/4"	10	65	92	193	185
3/8"	12				
1/2"	15	75			
3/4"	20	80			187
1"	25	90			192
1 1/4"	32	110	194		
1 1/2"	40	120	200		
2"	50	140	128	208	237



PHYSICAL FEATURES

Flow characteristics



BAMO INTERNATIONAL

22, Rue de la Voie des Bans · Z.I. de la gare · 95100 ARGENTEUIL

Tel +33 (0)1 30 25 83 20 Web www.bamo.eu

Fax +33 (0)1 34 10 16 05 E-mail export@bamo.fr

2-way electric ball valves,
stainless steel
VE2V - INOX

11-12-2019

D-1014.01-EN-AC

METAL

1014-01 /2